

PERIPHERAL PUMP

*Cast iron pump body with special anti-rust treatment.
Pollution-free water ,Ensure water safety.*



QB60G VERSION K1 PERIPHERAL PUMP

ZHEJIANG GRANDFAR PUMP INDUSTRY CO., LTD
E-MAIL:INFO@GRANDFARGROUP.COM



Product
Info





QB60G

PERIPHERAL PUMP

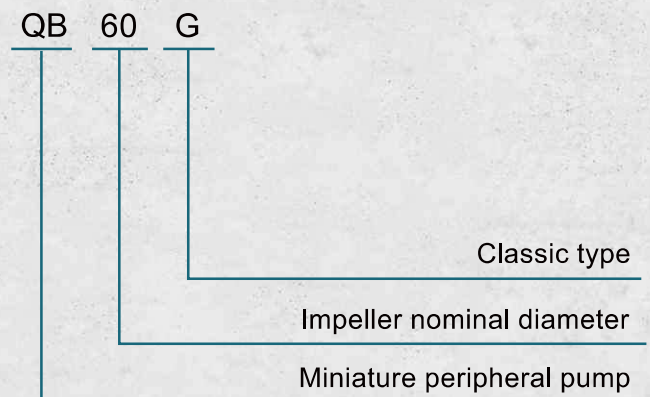
VERSION K1

PERIPHERAL PUMP

As a result of their reliability and the fact that they are easy to use and are economical, these pumps are suitable for domestic use and in particular for distribution water in combination with small pressure sets and for the irrigation of gardens and allotments. The pumps should be installed in enclosed environment, or at least sheltered from inclement weather.



Model instruction



Pump configuration

- Pump body: Cast iron;
- Impeller: Brass;
- Motor shaft: 45# + 304 stainless steel welded shaft;
- Mechanical seal: Ceramic - graphite.

Pump Features

- Copper wire motor with built-in thermal protector;
- Cast iron pump body with special anti-rust treatment;
- Copper impeller and stainless steel insert can effectively solve the problem of impeller stuck when the pump is idle for a long time and restarts.

Application Limits

- The PH value of the medium is between 6.5-8.5;
- The volume ratio of solid impurities does not exceed 0.1%, The particle diameter is not more than 0.2mm;
- The operating head is not less than 80% of the rated head of the electric pump.

TECHNICAL SPECIFICATIONS

Max.Power Up to 370W	Max.Flow 1.7 m³/h	Max.Head 32 m	Size 1"×1"	Liquid temperature Up to 40°C
--------------------------------	--	-------------------------	----------------------	---

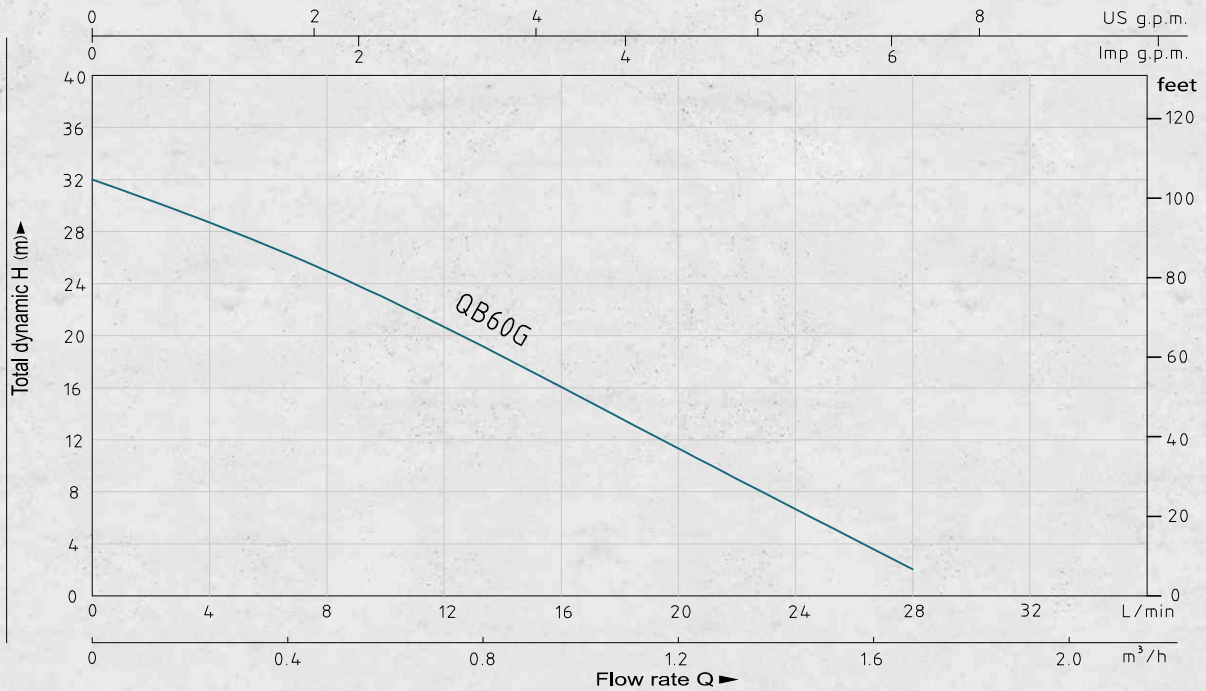


QB60G

PERIPHERAL PUMP

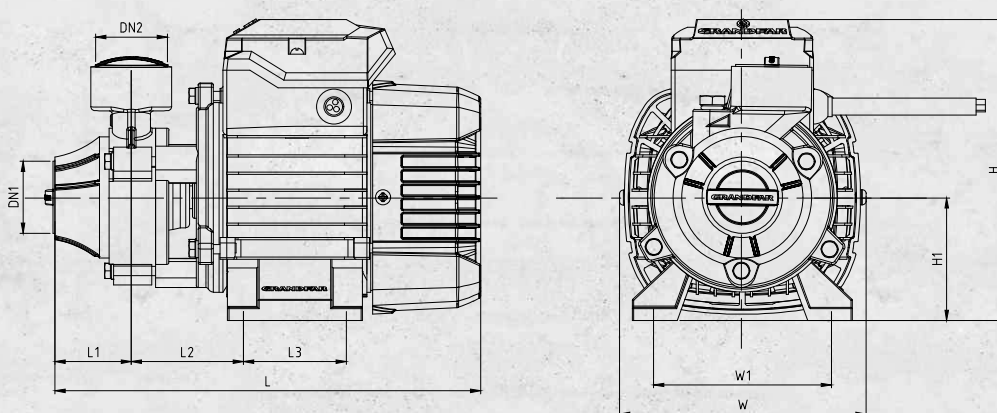
VERSION K1

PERFORMANCE CHART



Model	Power	Sut.max	Size	Q(m³/h)	0	0.3	0.6	0.9	1.2	1.5	1.8
	kW	m	Inch	Q(L/min)	0	5	10	15	20	25	30
QB60G	0.37	8	1"x1"	H(m)	32	27.2	21.8	16	10.5	5.2	2.3

PRODUCT DIMENSIONS



Model	Dimensions(mm)										G.W	N.W	Outer box
	DN1	DN2	L	W	H	L1	L2	L3	W1	H1	kg	kg	LxWxH(mm)
QB60G	1"	1"	224.5	130	159	40.3	58.8	55	95.4	65	4.5	4	237x142x177