

JSPM JET PUMP

*Suitable for conveying water or other liquids
with similar properties to water without abrasive particles.*



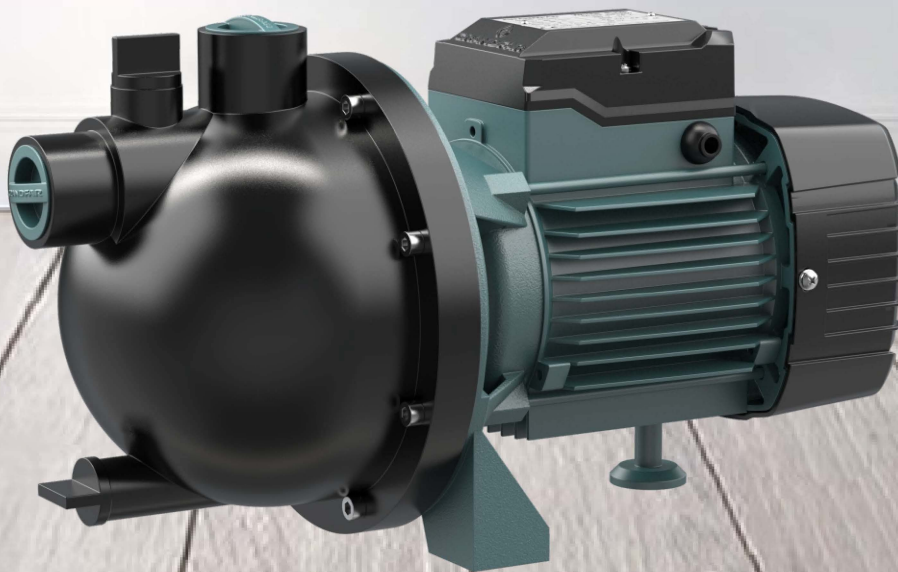
**WATER FOR
AQUACULTURE**



**DOMESTIC
WASTEWATER**



**AGRICULTURAL
IRRIGATION**



JSPm VERSION K1 **JET PUMP**

ZHEJIANG GRANDFAR PUMP INDUSTRY CO., LTD
E-MAIL: INFO@GRANDFARGROUP.COM



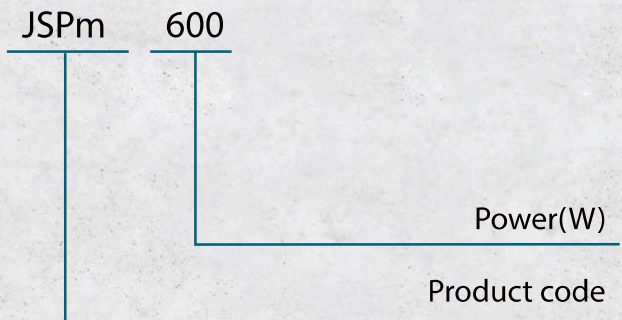
**Product
Info**





 **48 m**
 **3.6 m³/h**

MODEL INSTRUCTION



JET PUMP

The JSPm jet electric pump is mainly composed of three parts: motor, pump and seal. The electric motor is an asynchronous motor: JSPm jet electric pump adopts the unique structure of centrifugal impeller-radial guide vane-jet tube, its principle is that pressure water first through the nozzle to create a vacuum, and then the low water level liquid will be sucked into the pump inlet through and discharged by pump pressure, this pump has a self-priming function.

PUMP CONFIGURATION

- Motor: **Copper wire motor**;
- Impeller: **PPO**;
- Motor shaft: **Stainless steel**;
- Mechanical seal: **Graphite - Ceramic**.

PUMP FEATURES

- Copper wire motor with built-in thermal protector;
- Compact structure, Simple and easy installation;
- CFD hydraulic design, which makes the efficiency higher and the noise lower.

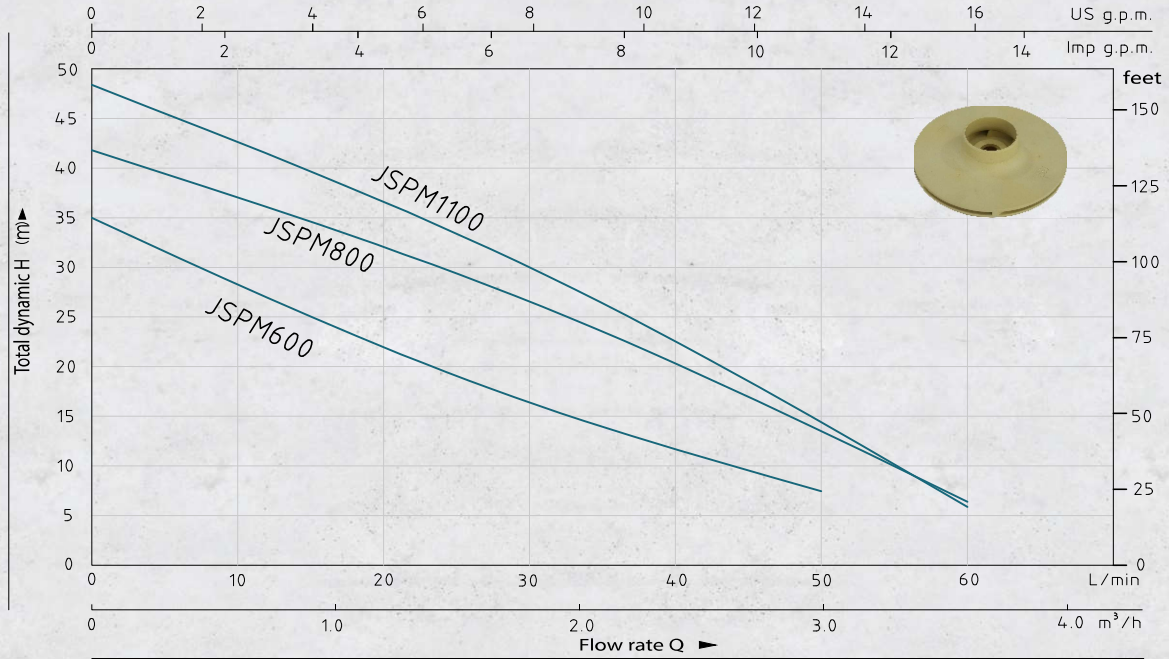
APPLICATION LIMITS

- The PH value of the medium is between 6.5-8.5;
- The volume ratio of solid impurities does not exceed 0.1%, The particle diameter is not more than 0.2mm;
- Liquid temperature + 40 °C;

TECHNICAL SPECIFICATIONS

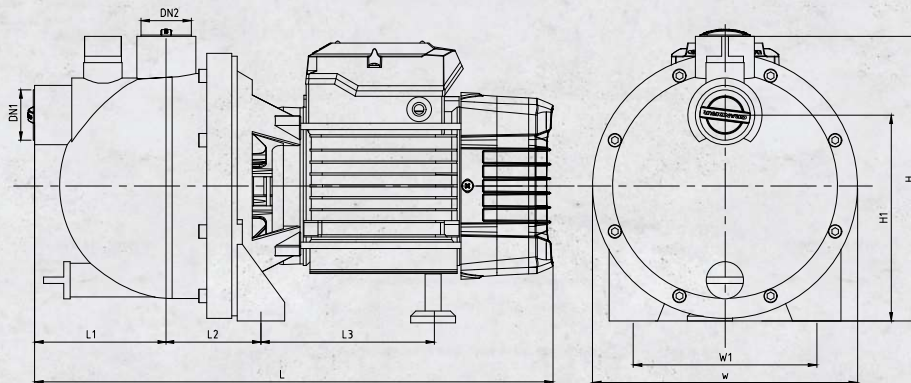
Max.Power Up to 1.1kW	Max.Flow 3.6m³/h	Max.Head 48 m	Suct.Max. 9 m	Size 1"×1"
---------------------------------	---------------------------------------	-------------------------	-------------------------	----------------------

PERFORMANCE CHART



Model	Power	Suct.Max	Size	Q(m³/h)	0	0.3	0.6	0.9	1.2	1.8	2.1	2.4	3	3.6
	kW	m	Inch	Q(L/min)	0	5	10	15	20	30	35	40	50	60
JSPm600	0.6	9	1"×1"	H(m)	35	31.4	27.9	24.5	21.7	16.7	14.6	13.3	7.5	-
JSPm800	0.8	9	1"×1"		42	38.5	34.5	32.1	30	26.5	24.8	23.3	18.5	6.6
JSPm1100	1.1	9	1"×1"		48	43	38.5	37	34.8	29.9	28	26	16	5.8

PRODUCT DIMENSIONS



Model	Dimensions(mm)										Outer box dimension		
	DN1	DN2	L	W	H	H1	L1	L2	L3	W1	G.W(kg)	N.W(kg)	LxWxH(cm)
JSPm600	1"	1"	355	163	175	125	85	85	105	130	6.4	5.9	39.5x19.5x21.5
JSPm800	1"	1"	400	200	215	165	100	75	130	140	8.8	8.1	42.5x21.5x24
JSPm1100	1"	1"	400	200	215	165	100	75	130	140	9.8	9.1	42.5x21.5x24

JSPM JET PUMP

*Suitable for conveying water or other liquids
with similar properties to water without abrasive particles.*



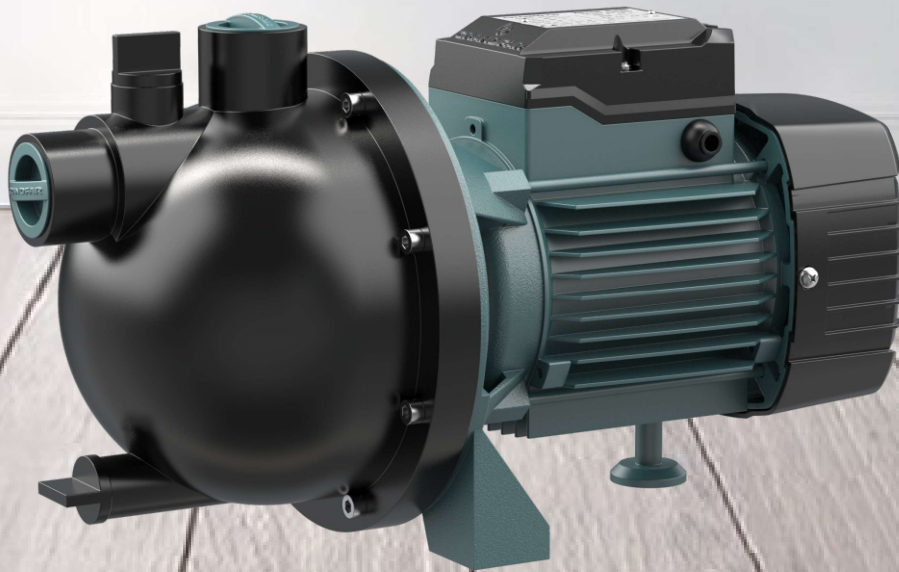
WATER FOR
AQUACULTURE



DOMESTIC
WASTEWATER



AGRICULTURAL
IRRIGATION



JSPm VERSION K1 **JET PUMP**

ZHEJIANG GRANDFAR PUMP INDUSTRY CO., LTD
E-MAIL: INFO@GRANDFARGROUP.COM



Product
Info

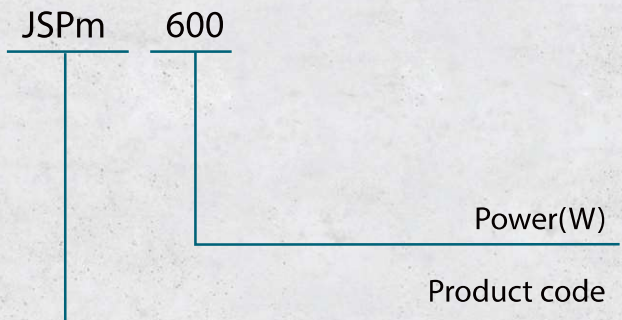





48 m

3.6 m³/h

MODEL INSTRUCTION



JET PUMP

The JSPm jet electric pump is mainly composed of three parts: motor, pump and seal. The electric motor is an asynchronous motor: JSPm jet electric pump adopts the unique structure of centrifugal impeller-radial guide vane-jet tube, its principle is that pressure water first through the nozzle to create a vacuum, and then the low water level liquid will be sucked into the pump inlet through and discharged by pump pressure, this pump has a self-priming function.

PUMP CONFIGURATION

- Motor: **Copper wire motor**;
- Impeller: **PPO**;
- Motor shaft: **Stainless steel**;
- Mechanical seal: **Graphite - Ceramic**.

PUMP FEATURES

- Copper wire motor with built-in thermal protector;
- Compact structure, Simple and easy installation;
- CFD hydraulic design, which makes the efficiency higher and the noise lower.

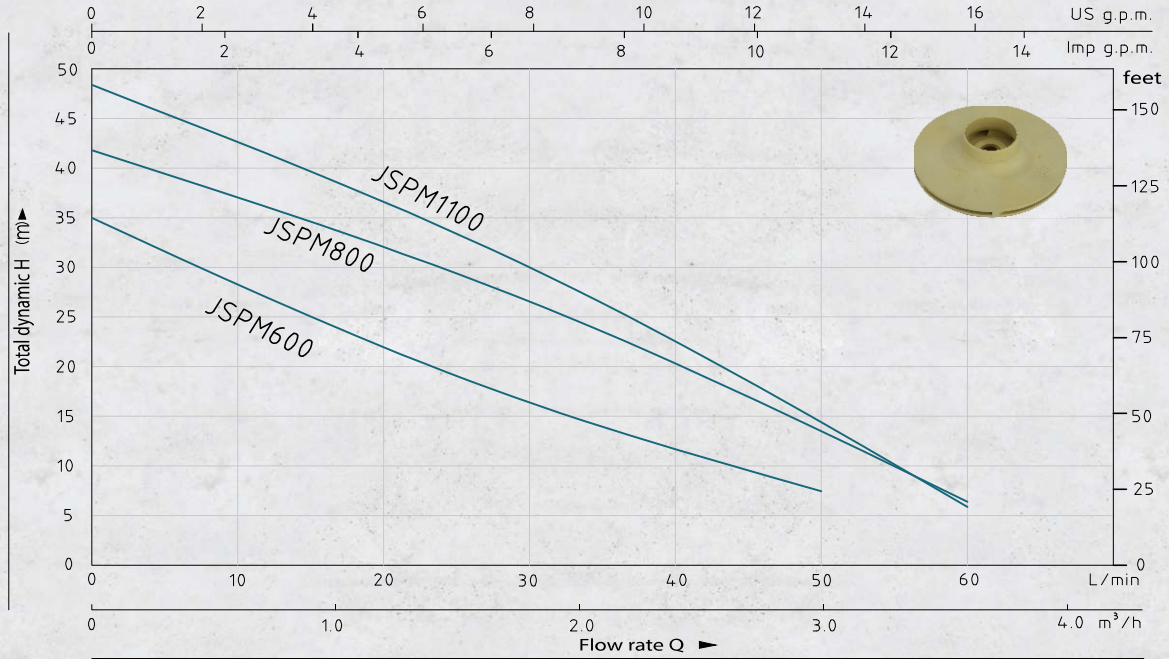
APPLICATION LIMITS

- The PH value of the medium is between 6.5-8.5;
- The volume ratio of solid impurities does not exceed 0.1%, The particle diameter is not more than 0.2mm;
- Liquid temperature + 40 °C;

TECHNICAL SPECIFICATIONS

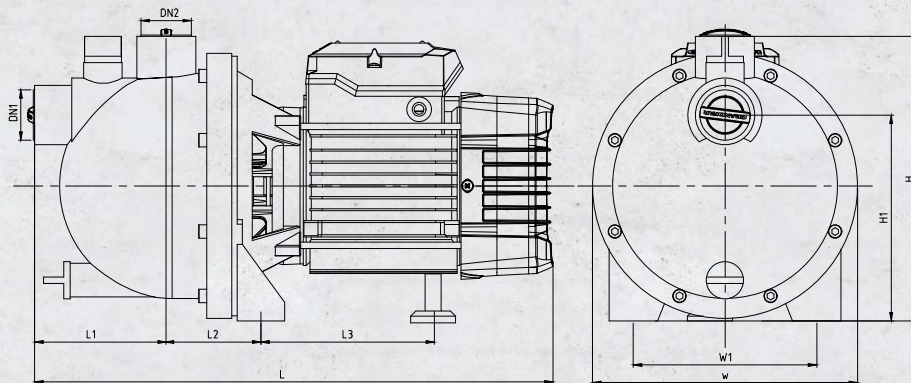
Max.Power Up to 1.1kW	Max.Flow 3.6m³/h	Max.Head 48 m	Suct.Max. 9 m	Size 1"×1"
---------------------------------	---------------------------------------	-------------------------	-------------------------	----------------------

PERFORMANCE CHART



Model	Power	Suct.Max	Size	Q(m³/h)	0	0.3	0.6	0.9	1.2	1.8	2.1	2.4	3	3.6
	kW	m	Inch	Q(L/min)	0	5	10	15	20	30	35	40	50	60
JSPm600	0.6	9	1"×1"	H(m)	35	31.4	27.9	24.5	21.7	16.7	14.6	13.3	7.5	-
JSPm800	0.8	9	1"×1"		42	38.5	34.5	32.1	30	26.5	24.8	23.3	18.5	6.6
JSPm1100	1.1	9	1"×1"		48	43	38.5	37	34.8	29.9	28	26	16	5.8

PRODUCT DIMENSIONS



Model	Dimensions(mm)										Outer box dimension		
	DN1	DN2	L	W	H	H1	L1	L2	L3	W1	G.W(kg)	N.W(kg)	LxWxH(cm)
JSPm600	1"	1"	355	163	175	125	85	85	105	130	6.4	5.9	39.5x19.5x21.5
JSPm800	1"	1"	400	200	215	165	100	75	130	140	8.8	8.1	42.5x21.5x24
JSPm1100	1"	1"	400	200	215	165	100	75	130	140	9.8	9.1	42.5x21.5x24