

# Polyethylene Aboveground Reservoir Specifications

Nabridas Water Tank is a mono-block structure made of virgin polyethylene material in eight sizes (500L / 750L / 1000L / 1500L / 2000L / 4000L / 6500L / 9000L) and is intended for potable water storage.

It has a unique and innovative structural design with a corrugated wall construction that offers superior sunlight/heat insulation, rigidity, impact strength and durability.

Nabridas water tanks are optimal for potable water storage with enhanced water temperature control and hygiene. The Nabridas Water Tanks are manufactured in single layer, color white.



## Dimensions

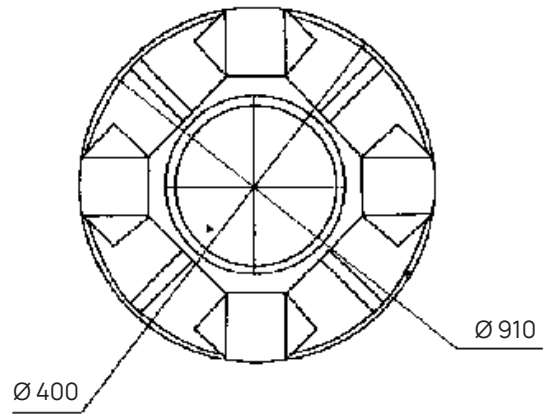
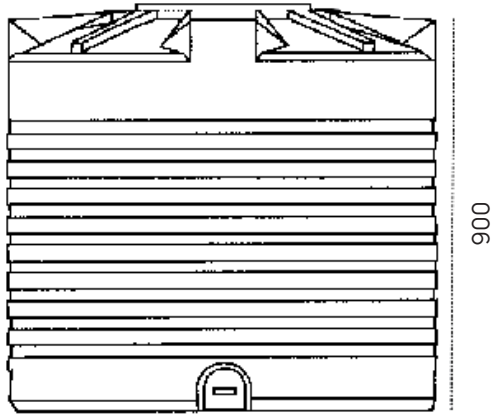
Total Capacity	500 L	750 L	1000 L	1500 L	2000 L	4000 L	6500 L	9000 L
Diameter Ø (D mm)	910	1020	1130	1360	1550	1890	2040	2330
Height at cover (mm)	900	1020	1140	1230	1295	1725	2050	2280
Width (mm)	910	1020	1130	1360	1550	1890	2040	2330
Opening Ø (O mm)	400	400	400	400	400	594	594	594

## Specifications

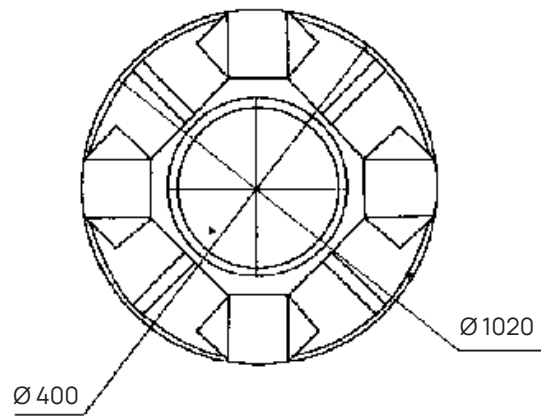
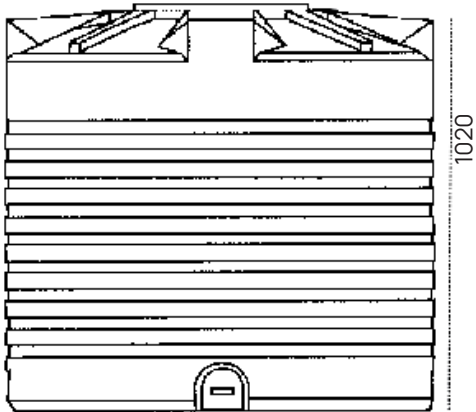
- Nabridas water tank is manufactured by rotational molding process out of UV stabilized polyethylene compound. The tank is fitted with a screw type Lid of 400mm.
- It has a unique cylindrical vertical design and with two apertures at the bottom for fixation.
- Manufactured out of 100% Virgin Food Grade PE Material. No recycled PE is used in the process.
- Meets the requirement of U.S 21 CFR FDA regulation Part 177.1520 clauses (C) for food contact use and AS/NZS 4020: 2002 for drinking water.
- Independently tested by the Mauritius Standards Bureau (MSB) as per the Mauritius Government regulation on Drinking Water Standard (Environment Protection Regulation 1996). MS179
- Does not promote algae growth by blocking out sunlight. Independently tested by University of Mauritius for blocking of visible light transmission.
- Nabridas water tank offers excellent rigidity and toughness with enhanced outdoor performance with proven UV stabilized PE material.
- No pigment wipe off. No water contamination.
- Fitting accessories intended for use with the water tank are compatible with the above mentioned standards.

# Product drawing

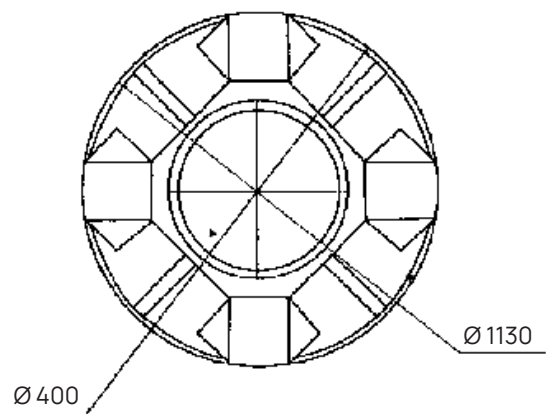
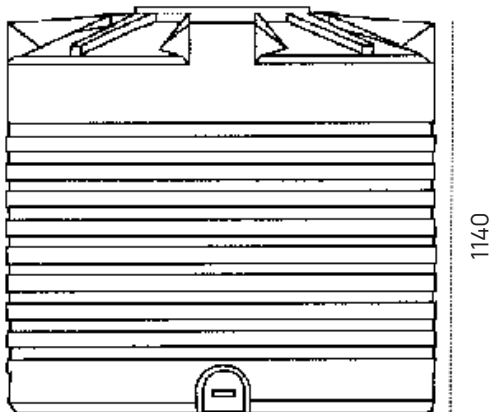
## 500 L



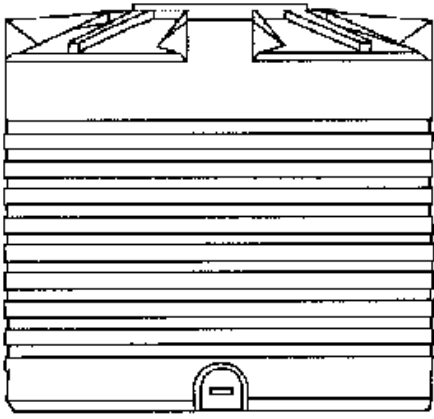
## 750 L



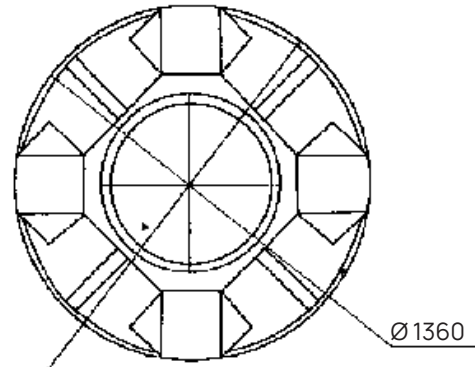
## 1000 L



## 1500 L



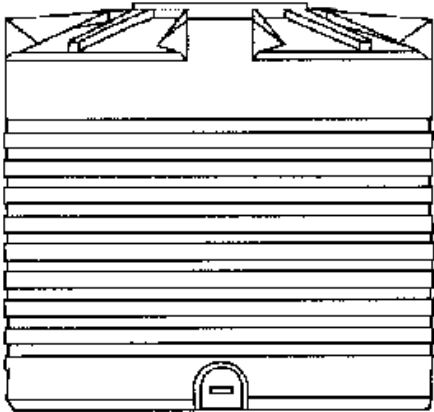
1230



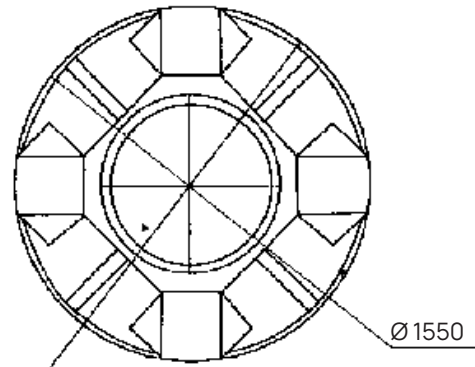
Ø 400

Ø 1360

## 2000 L



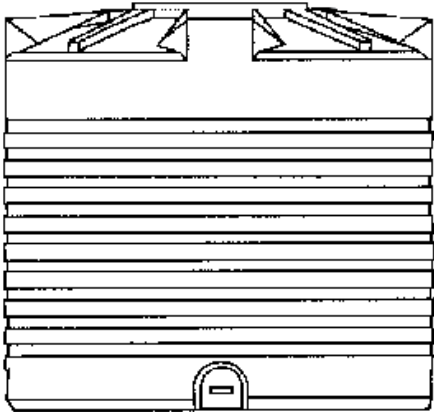
1295



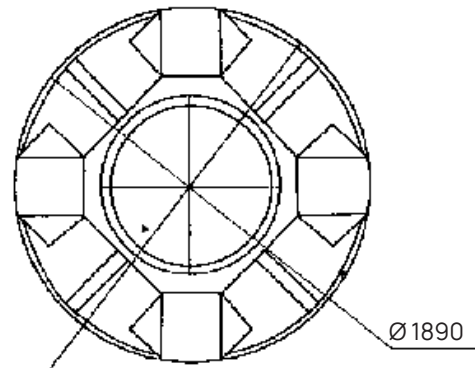
Ø 400

Ø 1550

## 4000 L



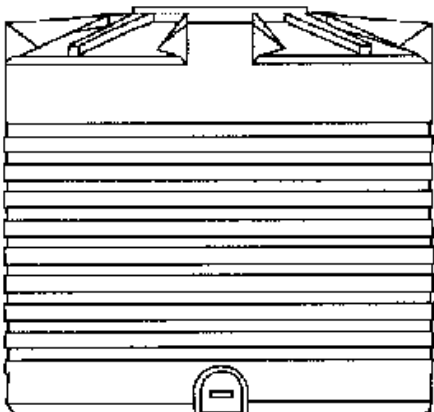
1725



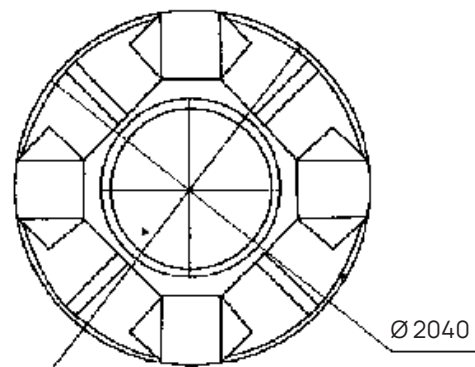
Ø 594

Ø 1890

## 6500 L



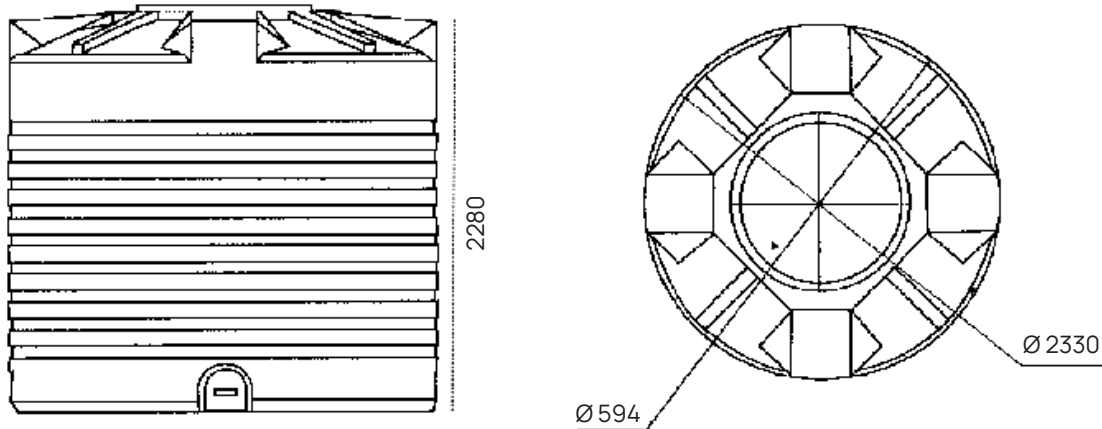
2050



Ø 594

Ø 2040

# 9000 L



All descriptions, illustrations and installation instructions are provided in good faith for guidance only. Installation instruction of consulting Engineer based on exact site considerations and local Government guidelines must be followed. All dimensions are nominal and Nabridas reserves the right to modify products without prior notice.

## Utilisation

Nabridas provides leak proof seal inlet with float valve and outlet fitting with the water tank free of charge and pre-installed. Additional anchorage Z-fixation clamps are also provided.

## Installation

Nabridas water tank of 500 L, 750L, 1000L, 1500L, 2000L, 4000L and 9000L are to be installed above ground.

### Preparation

Ensure that the access for the tank is clear, this includes removal any obstacles/debris that may be in the way. Also make sure that correct positioning of the tank will not be a problem.

### Base surface

Once sure of the location of the tank, it should be installed on an adequate surface or platform. This can be done with a concrete base or a compacted earth ring of 2-3 inches of fine soil. The surface base should be flat, free from any debris, level and strong enough to support the weight of the tank when full. Please note that the diameter of the surface base should be bigger that the diameter of the water tank.

Once the tank is placed on the base surface and positioned, it should be fixed to the base surface with the Z-fixation clamp supplied with the tank.

### Inlet/Outlet

All inlets and outlets should be supported and correctly fixed to the tank. This should ensure that there is no stress between the tank and the pipe entering or leaving the tank. The tank and the inlet/outlet should be clear of any sharp objects and branches, leaves, etc.

### Fittings

All Nabridas tanks are supplied with high quality fittings:

Tank 500-2000 inlet 1/2"/outlet 32mm threaded female +wash out 32mm /cap+ 2 Z-clamps with screws.

Tank 4000-9000 Inlet 3/4"/outlet 63mm threaded female +wash out 32mm/cap.

**NABRIDAS WATER TANK IS SUPPLIED WITH A 12 YEARS WARRANTY (subject to terms and conditions)**